

19" full flat capacitive screen aluminum alloy industrial tablet PC



Features

- Support intel Celeron/Core i3, i5, i7 CPU, DDR3/4 memory, mSATA, M.2, 2.5 inch SATA hard drive
- Screen 19" resolution 1280×1024, aluminum alloy front panel IP65 waterproof, optional capacitive touch screen or resistive touch screen
- Support power-on and boot, built-in dual speakers, high and low temperature resistance (-10 to 50 °C), uninterrupted and stable operation, and supports grounding wire
- 6 DB9 RS232 COM ports, optional RS422/485 switching, HDMI or VGA extended display, optional anti-vibration buffer waterproof adhesive strip
- 1 Gigabit LAN port (optional dual LAN port), 1 MINI-PCIE slot (optional WIFI Bluetooth or 4G module)
- Rugged chassis with or without fans for efficient heat dissipation, and supports mounting styles such as embedded/VESA mount

Product Introduction

SCP-D190SR/SZ aluminum alloy industrial tablet PC is equipped with intel Celeron/Core processor, data storage supports mSATA, M.2, 2.5-inch SATA, rich COM (RS232/422/485), USB, LAN and other complete interfaces, expandable WIFI Bluetooth or 4G module, optional anti-vibration buffer waterproof adhesive strip to better prevent moisture from penetrating into the box, has been widely used in the industrial field and embedded equipment, It is also equipped with HDMI or VGA video output for extended display, supporting Windows and Linux systems.

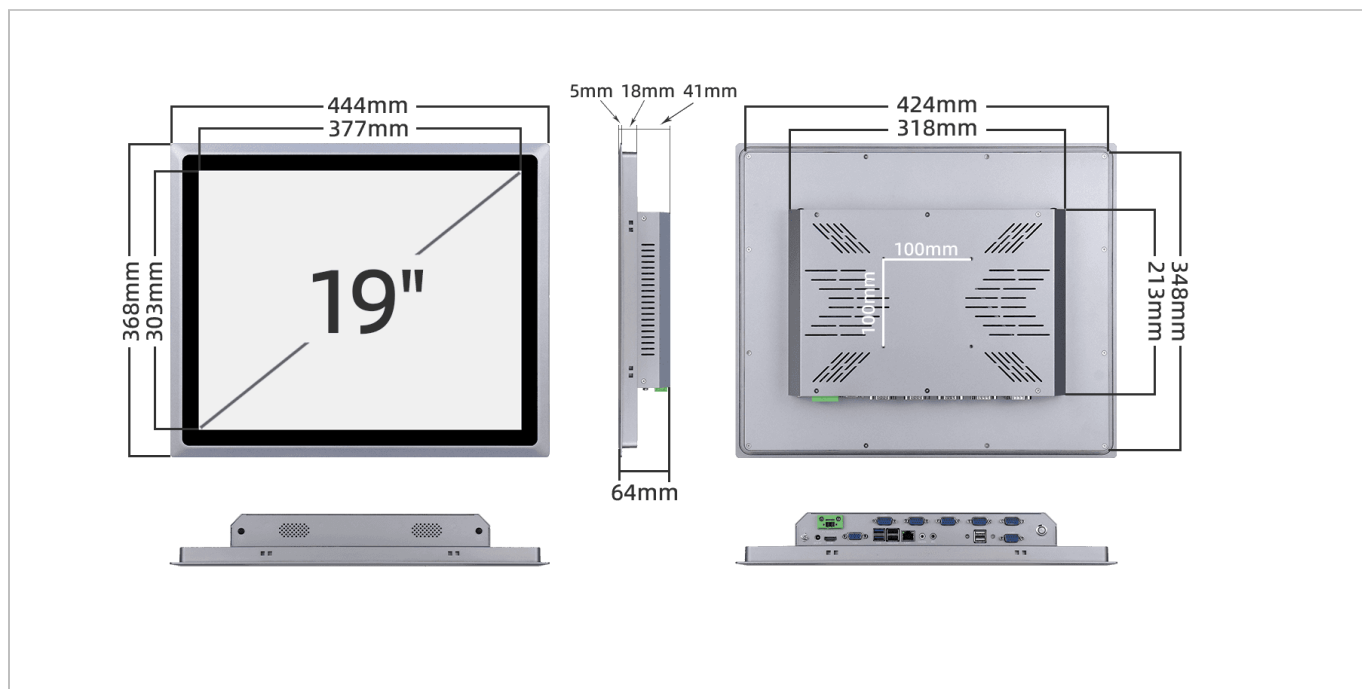
It supports a wide temperature range (-10 to 50°C) and its streamlined design ensures efficient heat dissipation and strong shock resistance, making it a reliable industrial platform with safe grounding components to protect equipment more effectively. The screen adopts a 19-inch LED backlit industrial screen, the aluminum alloy front panel meets the IP65 waterproof standard, and the all-plane capacitive touch screen or resistive touch screen can be selected.

The embedded and VESA mounting methods can be quickly and flexibly installed in various environments, and can be applied to industrial automation, power communication, medical education, transportation, logistics and warehousing, smart city and other fields.

Picture



Dimensional interfaces



Specifications

	C P U	intel Celeron J1900/J4125/J6412、Core i3/i5/i7
System	Display the core	intel HD Graphics
	Memory support	DDR3/4 SO-DIMM
	Hard disk support	mSATA/M.2/2.5 inch SATA
	Network chips	Gigabit Ethernet
	Audio chips	Integrated (built-in dual speakers)
	operating system	Support Windows/Linux
Interfaces	USB	6×USB
	Serial	6×DB9 RS232 (Optional 1-3 switching RS485/422)
	Network interface	1×LAN 1000Mbps (2LAN port is optional)
	Extended display	1×VGA、1×HDMI
	Audio	1×Audio、1×Mic
	Power Supply	1×DC 12V、1×2pin
	Switch	1×Power
	Grounding	1×GND
	Wireless communication	1×MINI-PCIE (Optional expansion WIFI/Bluetooth/4G module)
Display	Screen type	19 " LED, 5:4 Positive screen
	Resolution	1280×1024 @60Hz
	Display colors	16.7M
	Contrast ratio	1000:1
	Screen brightness	300~500cd/m²
	Viewing angle	Horizontally 160°/vertically 150°
	Viewable area	377×303mm
Touch	Touch screen	Available capacitive touch screen or resistive touch screen
	Support contacts	10-point touch or 1-point touch
	Surface hardness	≥7H or ≥4H
	Light transmittance	> 87% or > 79%

	Controls	USB
Structure	Front panel	Aluminum alloy: 5mm to thick, 2mm to thin
	Ingress protection	The front panel is IP65 waterproof and dustproof
	Chassis material	Galvanized steel SECC with ground terminal
	Heat dissipation	Fanned or fanless
	Power Specifications	DC 12V power adapter
	Installation	Embedded, VESA mount (100×100mm)
	Product dimensions	444×368×64mm
	Embedded cut-outs	424×348mm
	Package size	535×455×155mm
	Color	Silver (grayish)
	Weight	net weight 5.2kg, gross weight 6.6kg
Environment	Interference resistance	EMI/EMC Interference detection standards
	ESD static electricity	contact discharge ±8KV,air discharge ±15KV
	Anti-vibration	5~500Hz, 2Grms random vibration
	Shock resistance	Working status: 10G@11ms, Non-working state: 20G@11ms
	Working environment	-10°C ~ 50°C
	Storage environment	-20°C ~ 60°C
	Relative humidity	10% ~ 90% (No condensation)

订购信息

Model	Touch	size	resolution	CPU	Memory	SSD	SATA	LAN	COM	HDMI	VGA	USB2.0	USB3.0	Power
SCP-D190SR/SZ (J1900)	Capacitive Screen / Resistive Screen	19 "	1280×1024	J1900/2.0GHz	DDR3	1	1	1-2	6	1	1	5	1	DC 12V +2pin
SCP-D190SR/SZ (J4125)	Capacitive Screen / Resistive Screen	19 "	1280×1024	J4125/2.0GHz	DDR4	1	1	1-2	6	1	1	4	2	DC 12V +2pin
SCP-D190SR/SZ (J6412)	Capacitive Screen / Resistive Screen	19 "	1280×1024	J6412/2.0GHz	DDR4	1	1	1-2	6	1	1	4	2	DC 12V +2pin
SCP-D190SR/SZ (N4000)	Capacitive Screen / Resistive Screen	19 "	1280×1024	N4000/1.1GHz	DDR4	1	1	1-2	6	1	1	4	2	DC 12V +2pin
SCP-D190SR/SZ (4205U)	Capacitive Screen / Resistive Screen	19 "	1280×1024	4205U/1.8GHz	DDR4	1	1	1-2	6	1	1	4	2	DC 12V +2pin
SCP-D190SR/SZ (5205U)	Capacitive Screen / Resistive Screen	19 "	1280×1024	5205U/1.9GHz	DDR4	1	1	1-2	6	1	1	4	2	DC 12V +2pin
SCP-D190SR/SZ (i5-3320M)	Capacitive Screen / Resistive Screen	19 "	1280×1024	i5-3320M/2.6GHz	DDR3	1	1	1-2	6	1	1	4	2	DC 12V +2pin
SCP-D190SR/SZ (i3-4005U)	Capacitive Screen / Resistive Screen	19 "	1280×1024	i3-4005U/1.7GHz	DDR3	1	1	1-2	6	1	1	4	2	DC 12V +2pin
SCP-D190SR/SZ (i5-4210U)	Capacitive Screen / Resistive Screen	19 "	1280×1024	i5-4210U/1.7GHz	DDR3	1	1	1-2	6	1	1	4	2	DC 12V +2pin
SCP-D190SR/SZ (i5-6200U)	Capacitive Screen / Resistive Screen	19 "	1280×1024	i5-6200U/2.3GHz	DDR3	1	1	1-2	6	1	1	4	2	DC 12V +2pin
SCP-D190SR/SZ (i3-7100U)	Capacitive Screen / Resistive Screen	19 "	1280×1024	i3-7100U/2.4GHz	DDR3	1	1	1-2	6	1	1	4	2	DC 12V +2pin
SCP-D190SR/SZ (i5-7200U)	Capacitive Screen / Resistive Screen	19 "	1280×1024	i5-7200U/2.5GHz	DDR3	1	1	1-2	6	1	1	4	2	DC 12V +2pin
SCP-D190SR/SZ (i7-7500U)	Capacitive Screen / Resistive Screen	19 "	1280×1024	i7-7500U/2.7GHz	DDR3	1	1	1-2	6	1	1	4	2	DC 12V +2pin
SCP-D190SR/SZ (i7-7820HQ)	Capacitive Screen / Resistive Screen	19 "	1280×1024	i7-7820HQ/2.9GHz	DDR4	1	1	1-2	6	1	1	2	4	DC 12V +2pin
SCP-D190SR/SZ (i3-8145U)	Capacitive Screen / Resistive Screen	19 "	1280×1024	i3-8145U/2.1GHz	DDR4	1	1	1-2	6	1	1	2	4	DC 12V +2pin
SCP-D190SR/SZ (i5-8257U)	Capacitive Screen / Resistive Screen	19 "	1280×1024	i5-8257U/1.4GHz	DDR4	1	1	1-2	6	1	1	2	4	DC 12V +2pin
SCP-D190SR/SZ (i5-8259U)	Capacitive Screen / Resistive Screen	19 "	1280×1024	i5-8259U/2.3GHz	DDR4	1	1	1-2	6	1	1	2	4	DC 12V +2pin
SCP-D190SR/SZ (i5-8265U)	Capacitive Screen / Resistive Screen	19 "	1280×1024	i5-8265U/1.6GHz	DDR4	1	1	1-2	6	1	1	2	4	DC 12V +2pin
SCP-D190SR/SZ (i5-8279U)	Capacitive Screen / Resistive Screen	19 "	1280×1024	i5-8279U/2.4GHz	DDR4	1	1	1-2	6	1	1	2	4	DC 12V +2pin
SCP-D190SR/SZ (i5-8350U)	Capacitive Screen / Resistive Screen	19 "	1280×1024	i5-8350U/1.7GHz	DDR4	1	1	1-2	6	1	1	2	4	DC 12V +2pin
SCP-D190SR/SZ (i5-8365U)	Capacitive Screen / Resistive Screen	19 "	1280×1024	i5-8365U/1.6GHz	DDR4	1	1	1-2	6	1	1	2	4	DC 12V +2pin
SCP-D190SR/SZ (i7-8565U)	Capacitive Screen / Resistive Screen	19 "	1280×1024	i7-8565U/1.8GHz	DDR4	1	1	1-2	6	1	1	2	4	DC 12V +2pin

SCP-D190SR/SZ (i5-10210U)	Capacitive Screen / Resistive Screen	19 "	1280×1024	i5-10210U/1.6GHz	DDR4	1	1	1-2	6	1	1	2	4	DC 12V +2pin
SCP-D190SR/SZ (i3-1125G4)	Capacitive Screen / Resistive Screen	19 "	1280×1024	i3-1125G4/2.0GHz	DDR4	1	1	1-2	6	1	1	4	2	DC 12V +2pin
SCP-D190SR/SZ (i5-1135G7)	Capacitive Screen / Resistive Screen	19 "	1280×1024	i5-1135G7/2.4GHz	DDR4	1	1	1-2	6	1	1	4	2	DC 12V +2pin
SCP-D190SR/SZ (i7-1165G7)	Capacitive Screen / Resistive Screen	19 "	1280×1024	i7-1165G7/2.8GHz	DDR4	1	1	1-2	6	1	1	4	2	DC 12V +2pin
SCP-D190SR/SZ (i5-11320H)	Capacitive Screen / Resistive Screen	19 "	1280×1024	i5-11320H/3.2GHz	DDR4	1	1	1-2	6	1	1	4	2	DC 12V +2pin
SCP-D190SR/SZ (i7-11390H)	Capacitive Screen / Resistive Screen	19 "	1280×1024	i7-11390H/3.4GHz	DDR4	1	1	1-2	6	1	1	4	2	DC 12V +2pin
SCP-D190SR/SZ (6-12th Core)	Capacitive Screen / Resistive Screen	19 "	1280×1024	6/7/8/9/10/11/12th Core	DDR4	1	1	1-2	6	1	1	4	2	DC 12V +2pin
SCP-D190SR/SZ (13-14th Core)	Capacitive Screen / Resistive Screen	19 "	1280×1024	13/14th Core	DDR5	1	1	1-2	6	1	1	4	2	DC 12V +2pin

Configuration upgrade

name	description	remark
Memory sticks	4G / 8G / 16G	Optional
hard disk	64G / 128G / 256G / 512G / 1TB SSD、500G / 1TB / 2TB 2.5-inch SATA hard drive	Optional
Wireless communication	2.4G/5G dual-band WIFI, Bluetooth or 4G module	Optional
LAN port	1-2 Gigabit Ethernet ports are optional	Optional
COM port	6 COM ports default RS232, optional 1-3 switch RS485/422	Optional
Case color	Silver	Standard

Accessories list

name	description	quantity	remark
Recessed snaps	For flush mounting	4	Standard
Power adapter	DC 12V 5A power adapter	1	Standard
Power cord	National standard, European standard, British standard, American standard, etc., the length can be 1.5m / 2m / 3m / 5m / 10m	1	Optional
Warranty card	Soncci logo / neutral	1	Optional
Certificate	Soncci logo / neutral	1	Optional
Wall mount bracket	The VESA100×100mm hole is used for wall mounting	1	Optional
Desk stand	The VESA100×100mm hole is used for mounting on the desktop	1	Optional