

15" Full Plane Capacitive Screen Aluminum Alloy Fanless Industrial Panel PC



Key features:

- Support intel Celeron/Core i3, i5, i7 CPU, DDR3/4 memory, mSATA, M.2, 2.5 inch SATA hard drive
- Screen 15" resolution 1024x768, aluminum alloy front panel IP65 waterproof, optional capacitive touch screen or resistive touch screen
- Support power-on and power-on, built-in double horns, high and low temperature resistance (-20°C to 60°C) uninterrupted and stable operation, with grounding terminals
- It can be expanded to 6 COM ports, supports HDMI screen expansion display, and can choose anti-vibration buffer waterproof adhesive strip
- 1 Gigabit LAN port (optional dual network port, WIFI Bluetooth or 4G module, optional addition of 9-36V wide voltage module).
- The aluminum alloy of the chassis is sturdy and beautiful, the aluminum fin fanless heat dissipation is more efficient, and it supports embedded/VESA bracket and other installation methods

Product Introduction

SCP-K150SR/SZ aluminum alloy industrial tablet PC is equipped with intel Celeron/Core processor, data storage support mSATA, M.2, 2.5-inch SATA, rich USB, LAN and other complete interfaces, expandable COM port, WIFI Bluetooth or 4G module, optional 9-36V wide voltage for unstable voltage environment, optional anti-vibration buffer waterproof adhesive strip to better prevent moisture from penetrating into the box, has been widely used in industrial fields and embedded equipment, It is also equipped with an HDMI video output for extended display, and supports Windows and Linux systems.

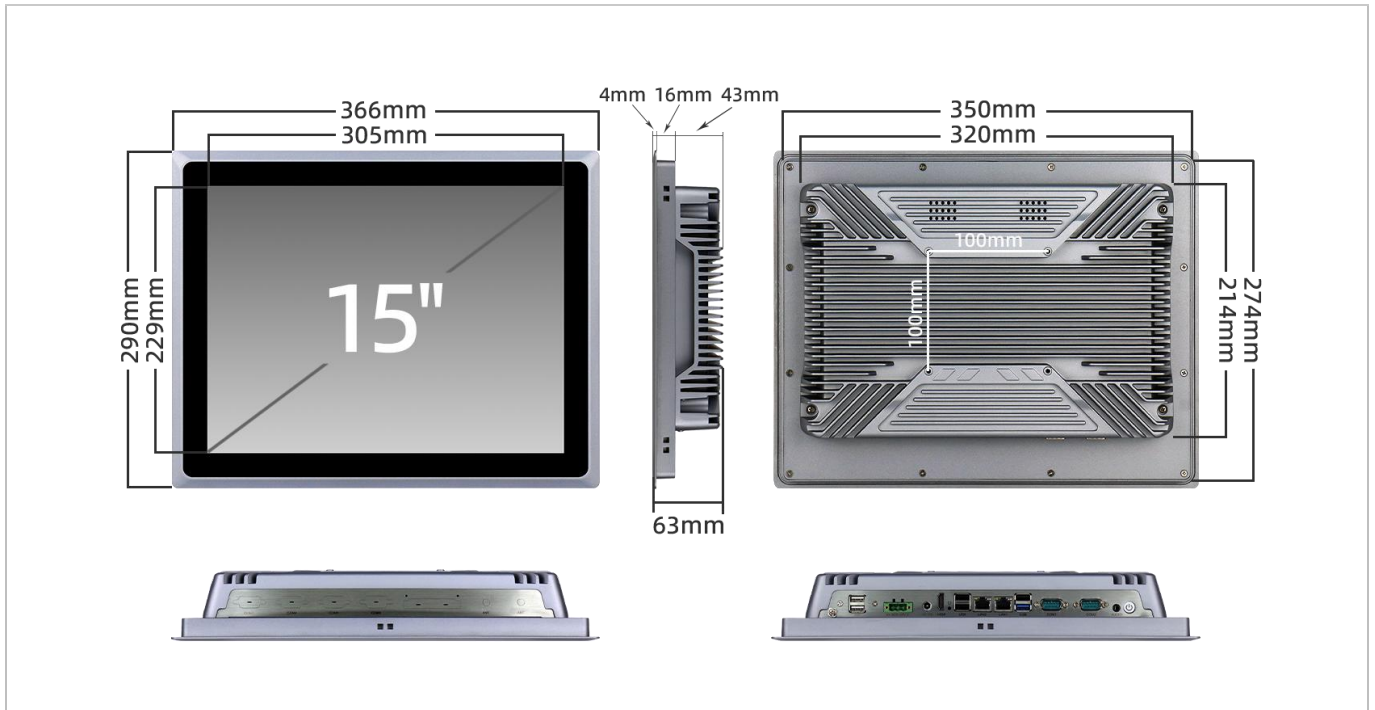
It supports a wide temperature range (-20°C to 60°C) and a fully enclosed aluminum fin fanless design to ensure more efficient heat dissipation and strong vibration resistance, making it a more reliable industrial platform and providing safe grounding components to protect equipment more effectively. Screen 15 inch LED backlit industrial screen, aluminum alloy front panel meets IP65 waterproof standard, optional full-plane capacitive touch screen or resistive touch screen.

Embedded and VESA wall-mounted, desktop and other installation methods can be quickly and flexibly installed in various environments, and can be applied to industrial automation, military heavy industry, power communications, smart government affairs, medical education, visual logistics, advertising display, digital signage, smart city and other fields.

Product images



Dimensional interfaces



Specs

system	C P U	intel Celeron J1900/J4125/J6412、Core i3/i5/i7
	Display the core	intel HD Graphics
	Memory support	DDR3/4 SO-DIMM
	Hard disk support	mSATA/M.2/2.5 寸 SATA
	Network chips	Gigabit Ethernet
	Audio chips	Integrated (built-in dual speakers).
	operating system	Support Windows/Linux
Interfaces	USB	6×USB
	Serial port	None (optional expansion 6 x DB9 RS232, 1-3 x optional switching RS485/422).
	Ethernet port	1× LAN 1000Mbps (2 LAN ports optional).
	Extended display	1×HDMI
	Audio	1×Audio
	Electrical source	1×DC 12V (optional 3pin 9-36V wide voltage).
	Turn it off	1×Power
	Grounding	1×GND
	Wireless communications	1× MINI-PCIE (OPTIONAL EXPANSION WIFI/BLUETOOTH/4G MODULE).
	Display	Screen type
Resolution		1024×768 @60Hz
Display colors		16.7M
Degree of contrast		1000:1
Screen brightness		300~500cd/m ²
Viewing angle		Horizontal 160° / Vertical 150°
Viewable area		305×229mm
Touch	Touch the screen	Available capacitive touch screen or resistive touch screen
	Support contacts	10-point touch or 1-point touch
	Surface hardness	≥7H or ≥4H
	Light transmittance	>87% or >79%

	Controllers	USB
	Front panel	Aluminum alloy: 4 mm to thick, 2mm to thin
	Ingress protection	The front panel is IP65 waterproof and dustproof
	Chassis material	Aluminum alloy with ground terminal
	Heat dissipation	Aluminum fins fanless
	Power Specifications	DC 12V power adapter
Structure	Installation:	Embedded, VESA mount type (100×100mm))
	Product dimensions	366×290×63mm
	Embedded cut-outs	350×274mm
	Package size	435×415×140mm
	Product color	Silver (grayish tint)
	Product weight	Net weight 4.8kg, gross weight 6kg
	Environment	Interference resistance
ESD static electricity		The contact discharge ± 8KV, the air discharge ± 15KV
Vibration resistance		5~500Hz, 2Grms random vibration
Shock resistant		Working Status: 10G@11ms, Non-Working Status: 20G@11ms
Working environment		-20°C ~ 60°C
Storage environment		-20°C ~ 70°C
relative humidity		10%~90% (no condensation).

Ordering Information

Model	Touch	size	resolution	CPU	Memory	SSD	SATA	LAN	COM	HDMI	VGA	USB2.0	USB3.0	Power
SCP-K150SR/SZ (J1900)	Capacitive Screen / Resistive Screen	15 "	1024x768	J1900/2.0GHz	DDR3	1	1	1-2	optional	1	N/A	5	1	DC 12V
SCP-K150SR/SZ (J4125)	Capacitive Screen / Resistive Screen	15 "	1024x768	J4125/2.0GHz	DDR4	1	1	1-2	optional	1	N/A	4	2	DC 12V
SCP-K150SR/SZ (J6412)	Capacitive Screen / Resistive Screen	15 "	1024x768	J6412/2.0GHz	DDR4	1	1	1-2	optional	1	N/A	4	2	DC 12V
SCP-K150SR/SZ (N4000)	Capacitive Screen / Resistive Screen	15 "	1024x768	N4000/1.1GHz	DDR4	1	1	1-2	optional	1	N/A	4	2	DC 12V
SCP-K150SR/SZ (4205U)	Capacitive Screen / Resistive Screen	15 "	1024x768	4205U/1.8GHz	DDR4	1	1	1-2	optional	1	N/A	4	2	DC 12V
SCP-K150SR/SZ (5205U)	Capacitive Screen / Resistive Screen	15 "	1024x768	5205U/1.9GHz	DDR4	1	1	1-2	optional	1	N/A	4	2	DC 12V
SCP-K150SR/SZ (i5-3320M)	Capacitive Screen / Resistive Screen	15 "	1024x768	i5-3320M/2.6GHz	DDR3	1	1	1-2	optional	1	N/A	4	2	DC 12V
SCP-K150SR/SZ (i3-4005U)	Capacitive Screen / Resistive Screen	15 "	1024x768	i3-4005U/1.7GHz	DDR3	1	1	1-2	optional	1	N/A	4	2	DC 12V
SCP-K150SR/SZ (i5-4210U)	Capacitive Screen / Resistive Screen	15 "	1024x768	i5-4210U/1.7GHz	DDR3	1	1	1-2	optional	1	N/A	4	2	DC 12V
SCP-K150SR/SZ (i5-6200U)	Capacitive Screen / Resistive Screen	15 "	1024x768	i5-6200U/2.3GHz	DDR3	1	1	1-2	optional	1	N/A	4	2	DC 12V
SCP-K150SR/SZ (i3-7100U)	Capacitive Screen / Resistive Screen	15 "	1024x768	i3-7100U/2.4GHz	DDR3	1	1	1-2	optional	1	N/A	4	2	DC 12V
SCP-K150SR/SZ (i5-7200U)	Capacitive Screen / Resistive Screen	15 "	1024x768	i5-7200U/2.5GHz	DDR3	1	1	1-2	optional	1	N/A	4	2	DC 12V
SCP-K150SR/SZ (i7-7500U)	Capacitive Screen / Resistive Screen	15 "	1024x768	i7-7500U/2.7GHz	DDR3	1	1	1-2	optional	1	N/A	4	2	DC 12V
SCP-K150SR/SZ (i7-7820HQ)	Capacitive Screen / Resistive Screen	15 "	1024x768	i7-7820HQ/2.9GHz	DDR4	1	1	1-2	optional	1	N/A	2	4	DC 12V
SCP-K150SR/SZ (i3-8145U)	Capacitive Screen / Resistive Screen	15 "	1024x768	i3-8145U/2.1GHz	DDR4	1	1	1-2	optional	1	N/A	2	4	DC 12V
SCP-K150SR/SZ (i5-8257U)	Capacitive Screen / Resistive Screen	15 "	1024x768	i5-8257U/1.4GHz	DDR4	1	1	1-2	optional	1	N/A	2	4	DC 12V
SCP-K150SR/SZ (i5-8259U)	Capacitive Screen / Resistive Screen	15 "	1024x768	i5-8259U/2.3GHz	DDR4	1	1	1-2	optional	1	N/A	2	4	DC 12V
SCP-K150SR/SZ (i5-8265U)	Capacitive Screen / Resistive Screen	15 "	1024x768	i5-8265U/1.6GHz	DDR4	1	1	1-2	optional	1	N/A	2	4	DC 12V
SCP-K150SR/SZ (i5-8279U)	Capacitive Screen / Resistive Screen	15 "	1024x768	i5-8279U/2.4GHz	DDR4	1	1	1-2	optional	1	N/A	2	4	DC 12V
SCP-K150SR/SZ (i5-8350U)	Capacitive Screen / Resistive Screen	15 "	1024x768	i5-8350U/1.7GHz	DDR4	1	1	1-2	optional	1	N/A	2	4	DC 12V
SCP-K150SR/SZ (i5-8365U)	Capacitive Screen / Resistive Screen	15 "	1024x768	i5-8365U/1.6GHz	DDR4	1	1	1-2	optional	1	N/A	2	4	DC 12V
SCP-K150SR/SZ (i7-8565U)	Capacitive Screen / Resistive Screen	15 "	1024x768	i7-8565U/1.8GHz	DDR4	1	1	1-2	optional	1	N/A	2	4	DC 12V

SCP-K150SR/SZ (i5-10210U)	Capacitive Screen / Resistive Screen	15 "	1024x768	i5-10210U/1.6GHz	DDR4	1	1	1-2	optional	1	N/A	2	4	DC 12V
SCP-K150SR/SZ (i3-1125G4)	Capacitive Screen / Resistive Screen	15 "	1024x768	i3-1125G4/2.0GHz	DDR4	1	1	1-2	optional	1	N/A	4	2	DC 12V
SCP-K150SR/SZ (i5-1135G7)	Capacitive Screen / Resistive Screen	15 "	1024x768	i5-1135G7/2.4GHz	DDR4	1	1	1-2	optional	1	N/A	4	2	DC 12V
SCP-K150SR/SZ (i7-1165G7)	Capacitive Screen / Resistive Screen	15 "	1024x768	i7-1165G7/2.8GHz	DDR4	1	1	1-2	optional	1	N/A	4	2	DC 12V
SCP-K150SR/SZ (i5-11320H)	Capacitive Screen / Resistive Screen	15 "	1024x768	i5-11320H/3.2GHz	DDR4	1	1	1-2	optional	1	N/A	4	2	DC 12V
SCP-K150SR/SZ (i7-11390H)	Capacitive Screen / Resistive Screen	15 "	1024x768	i7-11390H/3.4GHz	DDR4	1	1	1-2	optional	1	N/A	4	2	DC 12V
SCP-K150SR/SZ (6-12th Core)	Capacitive Screen / Resistive Screen	15 "	1024x768	6/7/8/9/10/11/12th Core	DDR4	1	1	1-2	optional	1	N/A	4	2	DC 12V
SCP-K150SR/SZ (13-14th Core)	Capacitive Screen / Resistive Screen	15 "	1024x768	13/14th Core	DDR5	1	1	1-2	optional	1	N/A	4	2	DC 12V

Configuration upgrade

name	description	remark
Memory	4G / 8G / 16G	Optional
hard disk	64G / 128G / 256G / 512G / 1TB SSD、500G / 1TB / 2TB 2.5 寸 SATA hard drive	Optional
Wireless communication	2.4G/5G dual-band WIFI, Bluetooth or 4G module	Optional
LAN port	1-2 Gigabit Ethernet ports are optional	Optional
COM port	Optional expansion of 6 COMRS232, 1-3 optional switching RS485/422	Optional
Wide voltage range	Optional addition of 9-36V wide voltage module	Optional
Case color	Silver	Standard

Accessories list

name	description	quantity	remark
Recessed snaps	For flush mounting	4	Standard
Power adapter	DC 12V 5A power adapter	1	Standard
Power cord	National standard, European standard, British standard, American standard, etc., the length can be 1.5m / 2m / 3m / 5m / 10m	1	Optional
Warranty card	Soncci logo / neutral	1	Optional
Certificate	Soncci logo / neutral	1	Optional
Wall mount bracket	The VESA100x100mm hole is used for wall mounting	1	Optional
Desk stand	The VESA100x100mm hole is used for mounting on the desktop	1	Optional